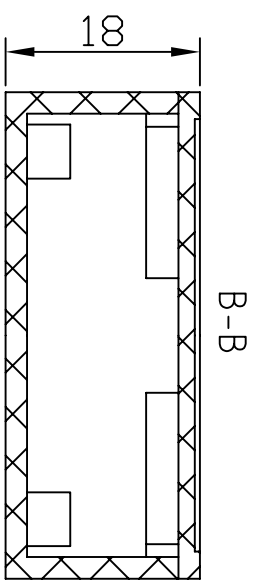
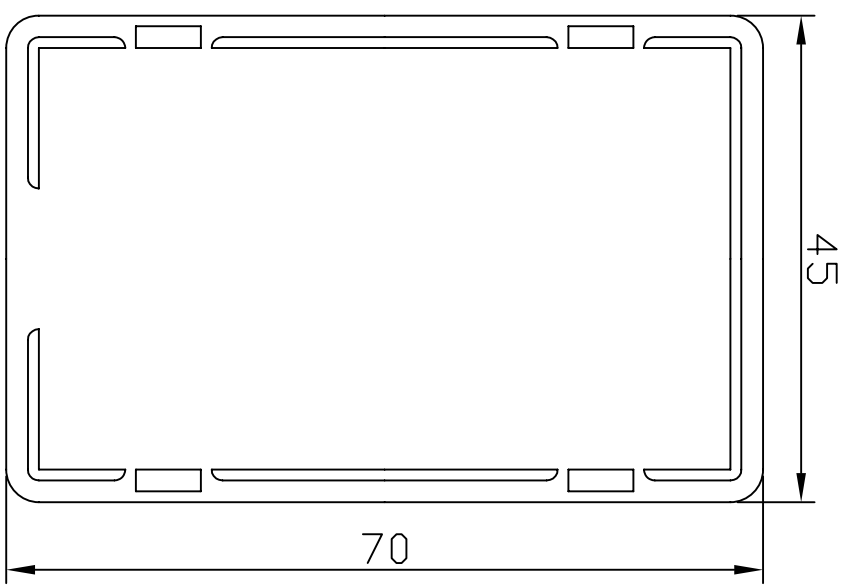
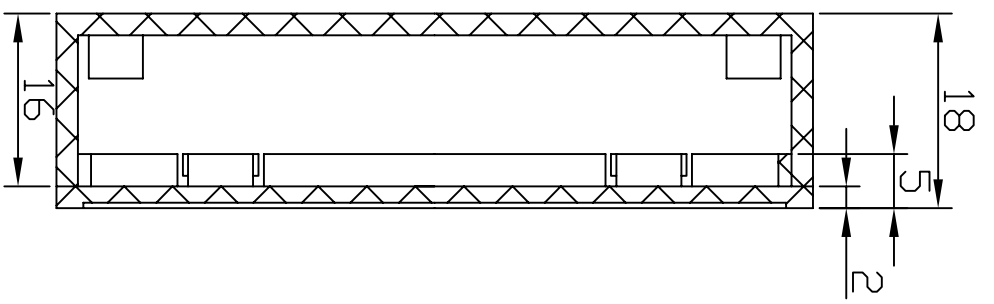
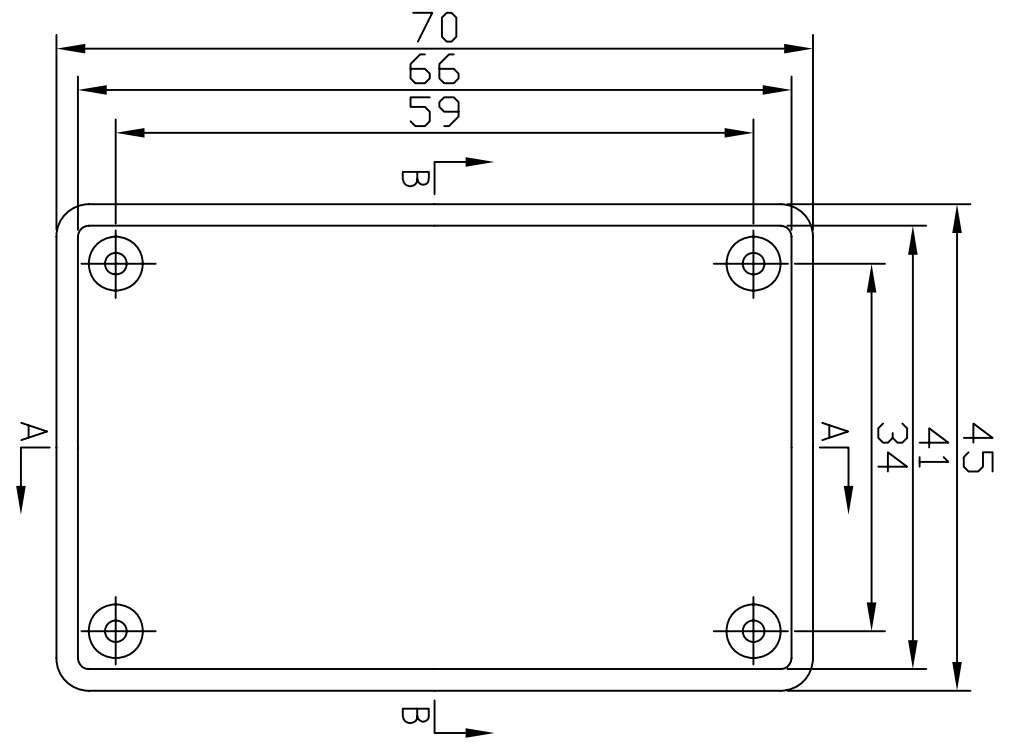


REVISION RECORD				
REV	ECN	DESCRIPTION	DRFT	CHKD



DETACHED LISTS			
 THIRD ANGLE PROJECTION	TOLERANCES EXCEPT AS NOTED MM: 0 ± 0.3 0.00 ± 0.02 0.000 ± 0.01	ANGLE ± 5°	DRFTD: DATE: CHKD: DATE: WFO: DATE: APPVL: DATE:
FINISH:	MATERIAL: ABS	QTY: 1	TITLE:
SCALE: 1:1	DRAWING NO: PC003	/PART NO: 00	DD NOT SCALE DRAWING
SHEET 1 OF 1	EVEREST WWW.EVERESTCASE.COM	SIZE: A4	REV: